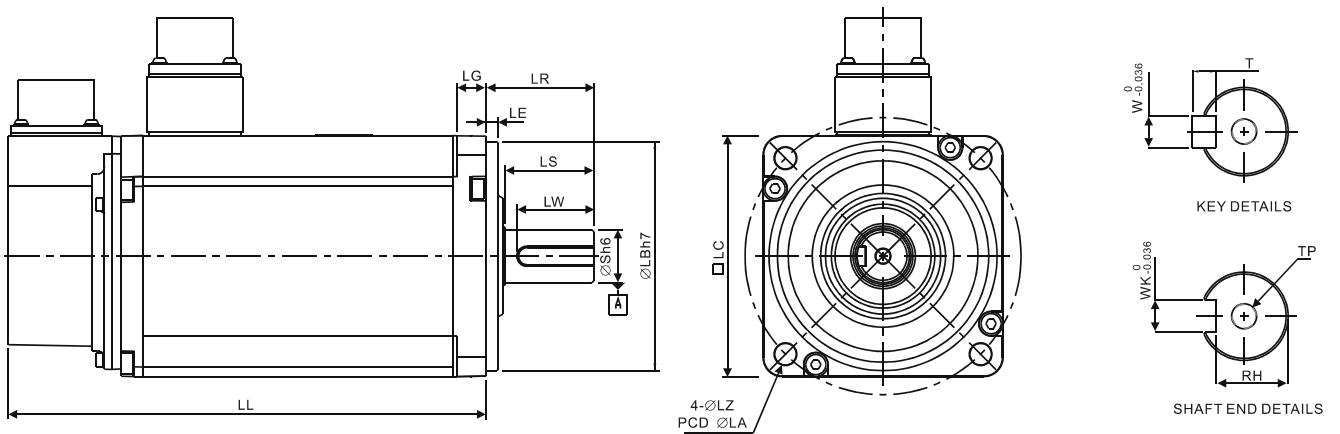


Motor Frame Size: 100mm~130mm Models



Model	E11310□S	E11315□S	C11020□S	E11320□S
LC	130	130	100	130
LZ	9	9	9	9
LA	145	145	115	145
S	22 <sup>(+0/-0.013)</sup>	22 <sup>(+0/-0.013)</sup>	22 <sup>(+0/-0.013)</sup>	22 <sup>(+0/-0.013)</sup>
LB	110 <sup>(+0/-0.035)</sup>	110 <sup>(+0/-0.035)</sup>	95 <sup>(+0/-0.035)</sup>	110 <sup>(+0/-0.035)</sup>
LL (without brake)	147.5	167.5	199	187.5
LL (with brake)	183.5	202	226	216
LS	47	47	37	47
LR	55	55	45	55
LE	6	6	5	6
LG	11.5	11.5	12	11.5
LW	36	36	32	36
RH	18	18	18	18
WK	8	8	8	8
W	8	8	8	8
T	7	7	7	7
TP	M6 Depth 20	M6 Depth 20	M6 Depth 20	M6 Depth 20

 **NOTE**

- 1) Dimensions are in millimeters. Weights are in kilograms (kg) and (pounds (lbs)).
- 2) Dimensions and weights of the servo motor may be revised without prior notice.
- 3) The boxes (□) in the model names are for optional configurations. (Please refer to section 1.2 for model explanation.)
- 4) Actual measured values are in metric units. Dimensions and weights in (imperial units) are for reference only.